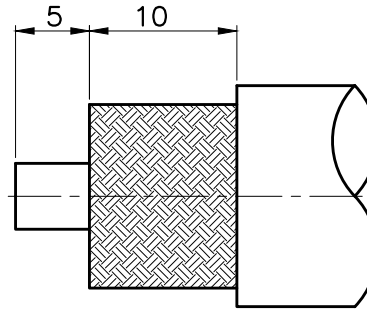
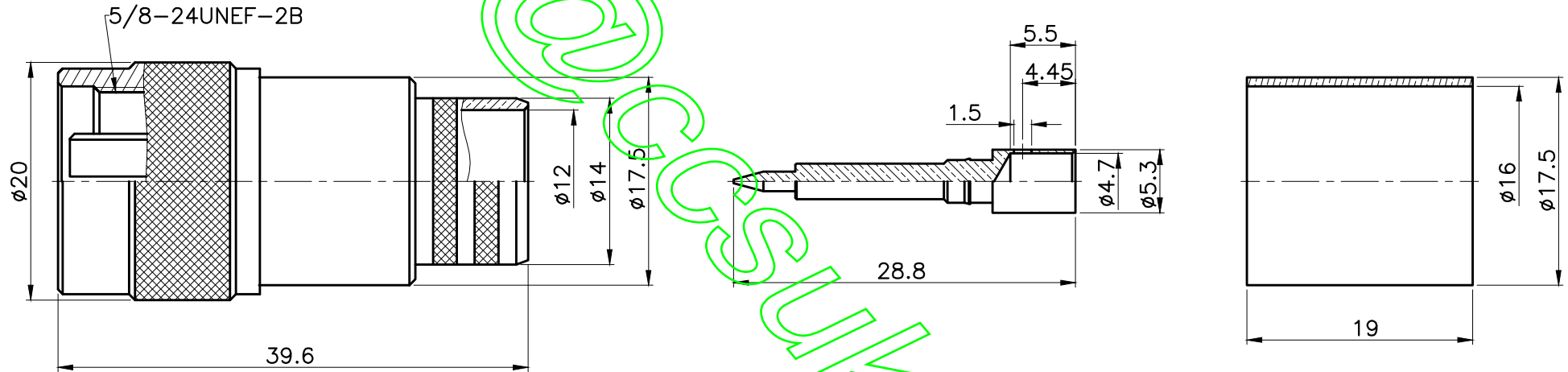


REVISIONS	
ISS	DESCRIPTION \ DATE

RoHS COMPLIANT



CABLE STRIPPING DIM'S



1. CRIMPED FERRULE  
HEX CRIMP SIZE .61"
2. CRIMPED CONTACT PIN  
HEX CRIMP SIZE .178"

CONNECTORS CABLES



SPECIALISTS LTD.

TITLE: N MALE CRIMP  
(FOR LMR-600)

PART NO: NPCR600

DR. NO:

029

APRD:	UNLESS OTHERWISE SPECIFIED TOLERANCES 0.5-6 = ±0.2 >6-30 = ±0.4 >30-120 = ±0.6 >120-315 = ±1 >315-1000 = ±1.6 ANGLES = ±5°		FERRULE	BRASS	NICKEL
CHKD:			CONTACT PIN	BRASS	GOLD
DR:			SHELL	BRASS	NICKEL
DATE: 04/24/13"	UNIT: mm		C RING	BRASS	NONE
SHEET: .	SCALE: 2/1		GASKET	RUBBER	RED
			INSULATOR	TEFLON	WHITE
			BODY	BRASS	NICKEL
		NO.	DESCRIPTION	MATERIAL	FINISH